

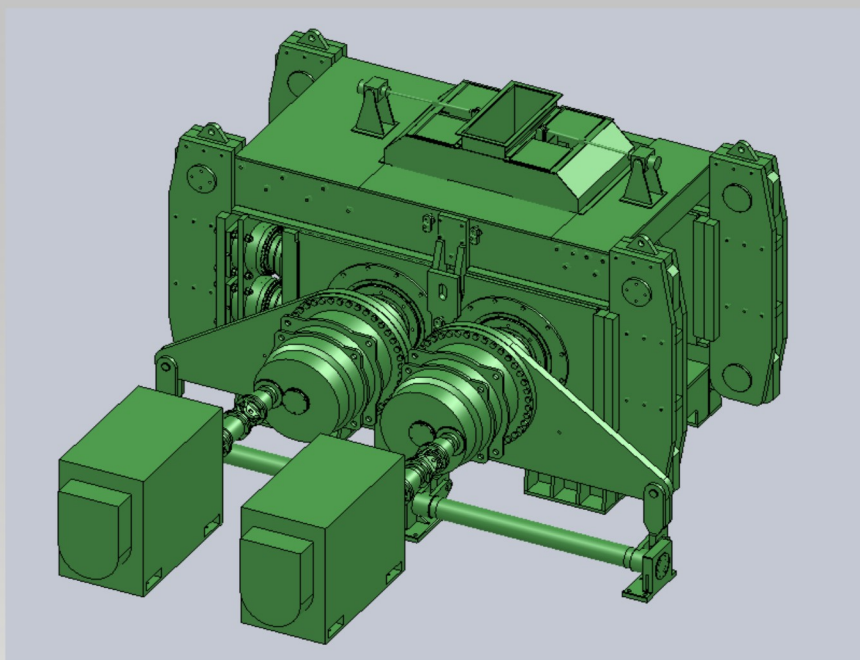
# 辊压机

Roller press

产品用途及特点:

辊压机是一种脆性物料的粉磨设备，适用于粉磨水泥熟料、水泥原料(石灰石、砂岩等)、石膏、煤、石英砂、铁矿石、高炉矿渣等。其具有产量高、电耗低、振动小等优点。

序号	型号	辊子直径	辊子宽度	入料粒度	通过量	功率
		(mm)	(mm)	(mm)	(t/h)	(kW)
1	G140-80	1400	800	≤65	290~360	2×250
2	G140-100	1400	1000	≤65	350~420	2×560
3	G150-100	1500	1000	≤70	420~500	2×710
4	G150-110	1500	1100	≤70	460~550	2×710
5	G160-120	1600	1200	≤75	590~680	2×900
6	G160-140	1600	1400	≤75	690~780	2×1120
7	G170-100	1700	1000	≤80	450~620	2×1000
8	G170-120	1700	1200	≤80	630~730	2×1100
9	G180-100	1800	1000	≤85	700~850	2×1000
10	G180-120	1800	1200	≤85	850~1020	2×1200
11	G200-120	2000	1200	≤90	950~1180	2×1600
12	G200-160	2000	1600	≤90	1300~1580	2×1800



重大装备 高端成套

High Integrated Technology Key Equipment and Turn-Key Service

# 辊压机

## Roller press

Product application and characteristic

roller press is a grinding equipment which is used to grind brittle material such as cement clinker, cement raw material (limestone, sandstone), gypsum, coal, silica sand, iron ore and blast furnace slag. Its advantage is High productivity, low power consumption and low vibration.

NO	Type	voller diameter	voller width	feedsize	output	power
		(mm)	(mm)	(mm)	(t/h)	(kW)
1	G140-80	1400	800	≤65	290~360	2 × 250
2	G140-100	1400	1000	≤65	350~420	2 × 560
3	G150-100	1500	1000	≤70	420~500	2 × 710
4	G150-110	1500	1100	≤70	460~550	2 × 710
5	G160-120	1600	1200	≤75	590~680	2 × 900
6	G160-140	1600	1400	≤75	690~780	2 × 1120
7	G170-100	1700	1000	≤80	450~620	2 × 1000
8	G170-120	1700	1200	≤80	630~730	2 × 1100
9	G180-100	1800	1000	≤85	700~850	2 × 1000
10	G180-120	1800	1200	≤85	850~1020	2 × 1200
11	G200-120	2000	1200	≤90	950~1180	2 × 1600
12	G200-160	2000	1600	≤90	1300~1580	2 × 1800

